



TECHNICAL DATA SHEET

Carroll Australasia is the authorised distributor for the Harnessflex products in Australia and New Zealand (ANZ). We are a specialist stockist of the Harnessflex specialised range of flexible conduit systems, fittings, backshells and more.

HARNESSFLEX FAST-FIT TYPE C 90° ELBOW FITTING

Harnessflex

Harnessflex Fast-Fit Type C90 90° elbow fitting, provides maximum cable protection to the highest possible IP rating when used with Harnessflex NC conduit



Features & Benefits:

- One piece design with integrated conduit and thread sealing
- Provides continuation of cable protection between conduit and cable entry points
- High level of mechanical protection and highest degree of ingress protection against solids and liquids
- Secure conduit clip design
- External male thread for insertion into metric threaded entries or knockout holes
- Locknut included
- Conduit and thread size indicators

Applications:

- Construction vehicles
- Agricultural machinery
- Trucks
- Heavy duty and special purpose vehicles

Suitable for conduit type:

- Harnessflex NC

Material:

- Polyamide (Nylon) 66 - Body, TPE seal

UV Resistance:

- Very high

Temperature range:

- Static short term: -50°C to +120°C
- Static long term: -50°C to +105°C
- Dynamic short term: -45°C to +120°C
- Dynamic long term: -45°C to +108°C

Ingress protection:

- IP66 - as standard
- IP67 - as standard
- IP68 - as standard (2 Bar 30 mins)
- IP69K - as standard

Fire performance:

- Self extinguishing
- Low smoke toxicity
- Halogen free

Conforms to:

- CE marked to Low Voltage Directive 2014/35 EU
- BSI Kitemark KM35161 to BS EN 61386
- CEI 11170 LR3 / LR4
- UL1696 Approved
- ADR Approved (with NC conduits only)

Certifications/Standards: (Refer to tables for certifications details)

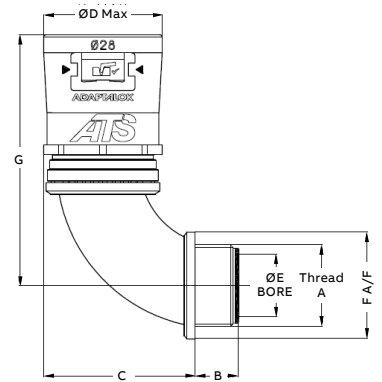




TECHNICAL DATA SHEET

FAST-FIT TYPE A FITTING – PART NUMBERS AND DIMENSIONS

PART NO. BLACK BODY (METRIC)	METRIC	NOMINAL DIMENSIONS (MM)					
	A	B	C	D	E	F	G
HTS16/M16/C90	M16 x 1.5	11.5	33.1	23.2	11.0	22.0	65.2
HTS16/M20/C90	M20 x 1.5	13.0	34.2	23.3	11.0	27.0	70.0
HTS20/M20/C90	M20 x 1.5	13.0	36.1	30.2	15.4	27.0	72.0
HTS28/M25/C90	M25 x 1.5	15.0	45.1	37.2	19.0	32.1	76.4
HTS32/M32/C90	M32 x 1.5	16.0	57.0	44.2	25.9	38.9	86.4
HTS40/M40/C90	M40 x 1.5	16.0	73.5	54.2	33.3	57.4	104.7
HTS50/M50/C90	M50 x 1.5	16.0	94.5	65.0	43.8	59.0	127.6



THERMAL PROPERTIES

TEST TYPE	STANDARD	REQUIREMENT	VALUE
Minimum temperature	-	Permanent static use	-40°C
Minimum temperature	BS EN 61386-23	Dynamic Use (5000 cycles)	-45°C
Maximum temperature	-	Permanent static use	105°C
Maximum temperature	BS EN 61386-23	Dynamic Use (5000 cycles)	120°C
Static short term use	-	Temporary use (3000)	-40 to 120°C

FLAMMABILITY

TEST TYPE	STANDARD	REQUIREMENT	RESULT	VALUE
Glow wire	BS EN 60695-2-11	Extinguish within 30s	850°C	°C
Flammability	IEC 61386-1-12	1Kw Burner Flame to Self	Pass	-
Oxygen Index - Nylon body	ISO 4589-2	-	21.1	%
Oxygen Index - Elastomer	ISO 4589-2	-	20.2	%
Ignition Rating - Nylon	NF F16-101	I Rating	I4	-
Ignition Rating - Elastomer	NF F16-101	I Rating	I4	-

SMOKE

TEST TYPE	STANDARD	REQUIREMENT	RESULT	VALUE
Fume Rating - Nylon	NF F16-101	F Rating	F2	-
Fume Rating - Elastomer	NF F16-101	F Rating	F2	-

TOXICITY

TEST TYPE	STANDARD	REQUIREMENT	RESULT	VALUE
Halogen Free	NFX 70-100	<0.5%	Pass	-

PRE-TEST CONDITIONS

DURATION	STANDARD	TEMPERATURE	RELATIVE HUMIDITY
168 (hrs)	BS EN 61386-1	23°C	50%

Carroll Australasia Pty Ltd reserves the right to change specifications without notice.



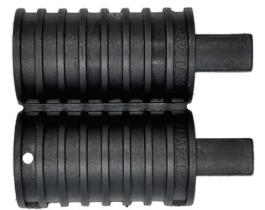
TECHNICAL DATA SHEET

Carroll Australasia is the authorised distributor for the Harnessflex products in Australia and New Zealand (ANZ). We are a specialist stockist of the Harnessflex specialised range of flexible conduit systems, fittings, backshells and more.

HARNESSFLEX FAST-FIT / REMOVAL TOOL

Harnessflex

Harnessflex Fast-Fit Removal tool for simple, safe removal of Fast-Fit fittings.



Features & Benefits:

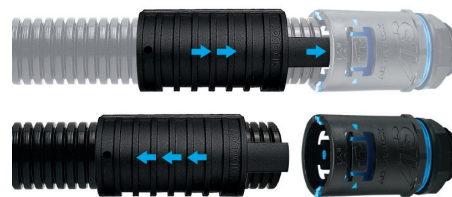
- Safe and simple removal and of Harnessflex Fast-fit fittings

Material:

- Polyamide 6
- Black

Instructions:

1. Slide removal tool over conduit
2. Align tabs with retention clips on fitting
3. Slide removal tool into fitting, pushing the tabs underneath the clips
4. Remove fitting from conduit



HARNESSFLEX FAST- FIT REMOVAL TOOL

PART NUMBER	HARNESSFLEX FAST FIT FITTING SIZE (MM)
HTS16/RT	16
HTS20/RT	20
HTS28/RT	28
HTS32/RT	32
HTS40/RT	40
HTS50/RT	50

Carroll Australasia Pty Ltd reserves the right to change specifications without notice.