



TECHNICAL DATA SHEET

Carroll Australasia is the authorised distributor for the Harnessflex products in Australia and New Zealand (ANZ). We are a specialist stockist of the Harnessflex specialised range of flexible conduit systems, fittings, backshells and more.

HARNESSFLEX CONNECTOR INTERFACE

AMPSEAL 16 – STRAIGHT BACKSHELL

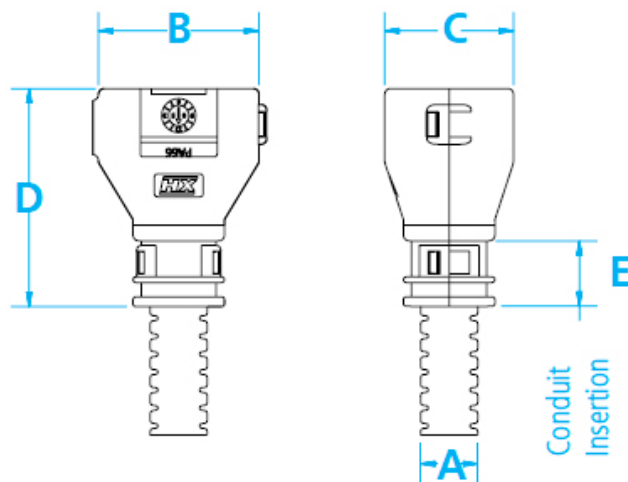
Harnessflex

PART NUMBERS & DIMENSIONS

PART NO. STRAIGHT BACKSHELL (PACK OF 10)	CONDUIT SIZE (A)		NOMINAL DIMENSIONS				CONNECTOR REFERENCE
	NC	NW	B	C	D	E	
CI08-AT2PL/10	08	7.5	23	18	34	12	2 Way
CI08-AT3PL//10	08	7.5	28	18	33	11	3 Way
CI08-AT4PL/10	08	7.5	29	23	39	13	4 Way
CI12-AT4PL/10	12	10	29	23	37	11	4 Way
CI12-AT6PL/10	12	10	29	23	37	11	6 Way
CI12-AT8PL/10	12	10	32	23	37	11	8 Way
CI12-AT12PL/10	12	10	41	23	37	11	12 Way
CI16-AT8PL/10	16	13	32	23	37	11	8 Way
CI16-AT12PL/10	16	13	41	23	37	11	12 Way

Note: Dimensions are in mm.
Bulk Pack Quantity also available.

LP = Low Profile back shell for AMPSEAL Plug,
LR = Low Profile Back Shell for AMPSEAL Receptacle
PL = Standard Profile Back Shell for AMPSEAL Plug



Carroll Australasia Pty Ltd reserves the right to change specifications without notice.



TECHNICAL DATA SHEET

Carroll Australasia is the authorised distributor for the Harnessflex products in Australia and New Zealand (ANZ). We are a specialist stockist of the Harnessflex specialised range of flexible conduit systems, fittings, backshells and more.

HARNESSFLEX CONNECTOR INTERFACE

AMPSEAL 16 – 90° ELBOW BACKSHELL

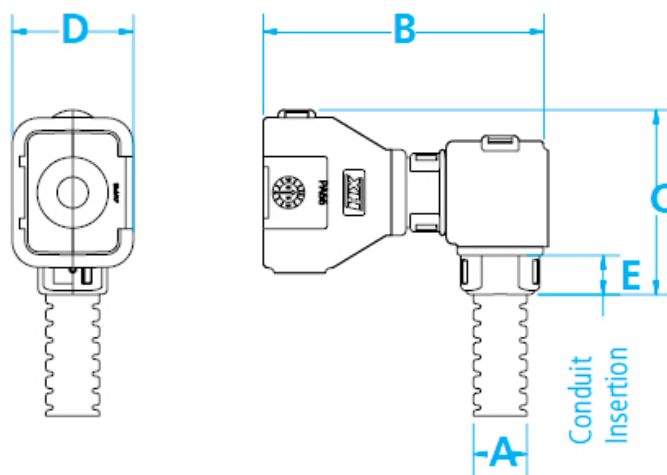
Harnessflex

PART NUMBERS & DIMENSIONS

PART NO. 90° ELBOW BACKSHELL (PACK OF 10)	CONDUIT SIZE (A)		NOMINAL DIMENSIONS				CONNECTOR REFERENCE
	NC	NW	B	C	D	E	
CI08-90-AT2LP/10	08	7.5	37.3	25.0	17.0	7.1	2 Way
CI08-90-AT2LR/10	08	7.5	37.3	25.0	20.0	7.1	2 Way
CI08-90-AT3LP/10	08	7.5	39.8	29.0	17.1	7.1	3 Way
CI08-90-AT3LR/10	08	7.5	39.8	29.0	17.1	7.1	3 Way
CI08-90-AT4LR/10	08	7.5	40.8	29.4	20.6	7.1	4 Way
CI08-90-AT6LP/10	08	7.5	42.8	29.4	22.5	7.1	6 Way
CI08-90-AT6LR/10	08	7.5	42.8	29.4	22.5	7.1	6 Way

Note: Dimensions are in mm.
Bulk Pack Quantity also available.

LP = Low Profile back shell for AMPSEAL Plug,
LR = Low Profile Back Shell for AMPSEAL Receptacle
PL = Standard Profile Back Shell for AMPSEAL Plug



Carroll Australasia Pty Ltd reserves the right to change specifications without notice.



TECHNICAL DATA SHEET

Carroll Australasia is the authorised distributor for the Harnessflex products in Australia and New Zealand (ANZ). We are a specialist stockist of the Harnessflex specialised range of flexible conduit systems, fittings, backshells and more.

HARNESSFLEX CONNECTOR INTERFACE

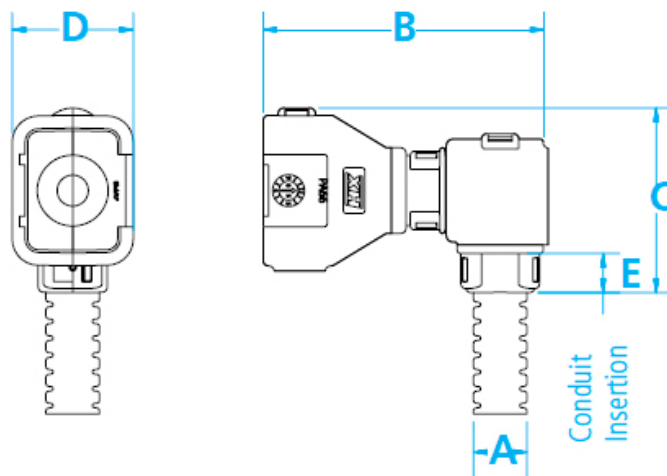
AMPSEAL 16 – 90° ELBOW BACKSHELL

PART NUMBERS & DIMENSIONS

PART NO. 90° ELBOW BACKSHELL (PACK OF 10)	CONDUIT SIZE (A)		NOMINAL DIMENSIONS				CONNECTOR REFERENCE
	NC	NW	B	C	D	E	
CI12-90-AT2LP/10	12	10	38	23	20	7.1	2 Way
CI12-90-AT2LR/10	12	10	38	23	20	7.1	2 Way
CI12-90-AT3LP/10	12	10	40.2	27.1	17.1	7.1	3 Way
CI12-90-AT3LR/10	12	10	40.2	27.1	17.1	7.1	3 Way
CI12-90-AT4LP/10	12	10	41.1	27.5	20.6	7.1	4 Way
CI12-90-AT4LR/10	12	10	41.1	27.5	20.6	7.1	4 Way
CI12-90-AT6LP/10	12	10	43.1	27.5	22.5	7.1	6 Way
CI16-90-AT4LR/10	16	13	44.7	36.7	22.5	7.1	4 Way
CI16-90-AT4LP/10	16	13	44.7	36.7	22.5	7.1	4 Way
CI16-90-AT6LR/10	16	13	46.7	36.7	22.5	7.1	6 Way

Note: Dimensions are in mm.
Bulk Pack Quantity also available.

LP = Low Profile back shell for AMPSEAL Plug,
LR = Low Profile Back Shell for AMPSEAL Receptacle
PL = Standard Profile Back Shell for AMPSEAL Plug



Carroll Australasia Pty Ltd reserves the right to change specifications without notice.



TECHNICAL DATA SHEET

Carroll Australasia is the authorised distributor for the Harnessflex products in Australia and New Zealand (ANZ). We are a specialist stockist of the Harnessflex specialised range of flexible conduit systems, fittings, backshells and more.

HARNESSFLEX CONNECTOR INTERFACE

AMPSEAL 16 – 90° ELBOW BACKSHELL

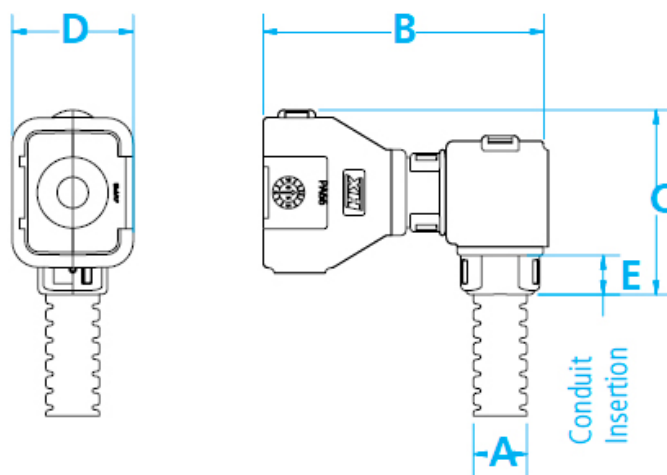
Harnessflex

PART NUMBERS & DIMENSIONS

PART NO. 90° ELBOW BACKSHELL (PACK OF 10)	CONDUIT SIZE (A)		NOMINAL DIMENSIONS				CONNECTOR REFERENCE
	NC	NW	B	C	D	E	
CI08-90-AT2PL/10	08	7.5	49	32	20	7.1	2 Way
CI08-90-AT3PL/10	08	7.5	49	34	20	7.1	3 Way
CI08-90-AT4PL/10	08	7.5	53	34	23	7.1	4 Way
CI12-90-AT2PL/10	12	10	49	32	20	7.1	2 Way
CI12-90-AT3PL/10	12	10	49	34	20	7.1	3 Way
CI12-90-AT4PL/10	12	10	53	35	23	7.1	4 Way

Note: Dimensions are in mm.
Bulk Pack Quantity also available.

LP = Low Profile back shell for AMPSEAL Plug,
LR = Low Profile Back Shell for AMPSEAL Receptacle
PL = Standard Profile Back Shell for AMPSEAL Plug






Carroll Australasia Pty Ltd reserves the right to change specifications without notice.



TECHNICAL DATA SHEET

TECHNICAL CHARACTERISTICS

Harnessflex

Conforms to	CE Mark to the low voltage directive RoHS Compliant to 2011/65/EU Conforms with end of life vehicle directive (ELV) EU200/53/EC	
Approvals and Standards	 	
Degree of mechanical protection	Medium	
Degree of protection	IP40 - Hinged Connector Interface fittings	
UV protection	Very High (Black)	
Finish	Black (BL)	
Application	A range of straight and 90° elbow fittings offering a compact and high integrity connection between Ampseal automotive connectors and Harnessflex conduit systems. These interfaces provide complete cable protection right up to the connector. They also provide strain relief and protection from high pressure washing, helping to maintain the sealing integrity of the connector.	
Normal operating temperature range	Minimum Temperature -40°C	Maximum Temperature +120°C
For use with - Conduit range	For use with all Conduits in the Harnessflex range	
Fire performance	Self Extinguishing Low smoke toxicity & Halogen Free	
Chemical resistance & Storage data	See Page 6	
Type of material	Polyamide (Nylon) PA 66 - heat and UV stabilised	
Image		

Carroll Australasia Pty Ltd reserves the right to change specifications without notice.



TECHNICAL DATA SHEET

CHEMICAL RESISTANCE CHART

Harnessflex

Key:

Suitable = ● Limited Suitability = ● Unsuitable = ● Not Tested = ●

● Astm No.1	● Diesel oil	● Methyl Bromide	● Sulphur Dioxide (Gas)
● Astm No.2	● Diethylamine	● MEK	● Sulphuric Acid (10%)
● Astm No.3	● Ethanol	● Nitric Acid (10%)	● Sulphuric Acid (70%)
● Acetic Acid (10%)	● Ether	● Nitric Acid (70%)	● Toluene
● Acetone	● Ethylamine	● Oxalic Acid	● Transformer Oil
● Aluminium Chloride	● Ethylene Glycol	● Ozone (Gas)	● 1,1,1-Trichloroethane
● Aniline	● Ethyl Ethanoate	● Paraffin oil	● Trichloroethylene
● Benzaldehyde	● Freon 32	● Petrol	● Turpentine
● Benzene	● Hydrochloric Acid (10%)	● Phenol	● Vegetable Oil
● Carbon tetrachloride	● Hydrochloric Acid (36%)	● Sea Water	● Vinyl Acetate
● Chlorine water	● Hydrogen Peroxide (35%)	● Silver Nitrate	● Water
● Chloroform	● Hydrogen Peroxide (87%)	● Skydrol	● White Spirit
● Citric Acid	● Lactic Acid	● Sodium Chloride	● Zinc Chloride
● Copper Sulphate	● Lubricating oil	● Sodium Hydroxide (10%)	
● Cresol	● Methanol	● Sodium Hydroxide (60%)	

The information above is given as a guide only and is based on published technical data and experience. The chemical resistance of the above products is dependant on factors such as chemical exposure, concentration of the chemical and temperature. The above chemicals are valid for a temperature of 23°C. Use of the above table is at the users own discretion and risk. Those using it must satisfy themselves that their application presents no health and safety risks. The end user should assess compatibility with their application and contact Carroll Australasia for further information.

ADHERENCE TO THE CURRENT WIRING REGULATIONS BS7671 OR NEC WIRING REGULATIONS (FOR USA) IS STRONGLY ADVISED.
MINIMUM BEND RADIUS FOR FLEXING IS DEPENDANT UPON MINIMUM TEMPERATURE, BENDING FREQUENCY AND CHEMICAL ENVIRONMENT.

STORAGE GUIDELINES

To maintain balanced moisture content, Harnessflex recommends storing products under the following conditions:

Storage temp.	Installation temp.	Rel. humidity
18°C to 30°C	>18°C	>30%

If products from an outside environment are brought into a heated processing area, the change in climate may suddenly cause temporary de-moisturisation around the edges. After 24 hours in the processing area a natural balance will be restored.

Observing this storage recommendation ensures optimum process-ability and material properties.

Carroll Australasia Pty Ltd reserves the right to change specifications without notice.