



TECHNICAL DATA SHEET

Carroll Australasia is the authorised distributor for the Harnessflex products in Australia and New Zealand (ANZ). We are a specialist stockist of the Harnessflex specialised range of flexible conduit systems, fittings, backshells and more.

HARNESSFLEX CONNECTOR INTERFACE HEAVY DUTY SERIES - HDSCS & CTCS XP CONNECTOR SERIES

Harnessflex

The Harnessflex Heavy Duty Series offers safe and secure cable protection for TE HDSCS and Aptiv CTCS XP Type B & E connectors, helping to maintain continuous vehicle operation even in the toughest conditions.



Features & Benefits:

- Provides a continuous connection between harness and connector
- Mechanical protection and a degree of ingress protection against dust
- Strain relief
- Abrasion and vibration protection
- Protects from full force of jet washing

Applications:

- Construction vehicles
- Agricultural machinery
- Trucks and other heavy duty vehicles
- Special vehicles
- Electric bus
- Autobus

Compatible with:

- All Harnessflex conduits

Material:

- Polyamide 66 (Nylon)
- UV Resistant
- Heat Stabilised

Temperature range:

- Normal use: -40 to +140°C (-40 to +248°F)

Conforms to:

- CE Mark to the low voltage directive
- RoHS Compliant to 2011/65/EU
- End of Life Vehicle directive (ELV)

Ingress protection:

- IP40

Chemical resistance guide:

- Please refer to TDS000081



TECHNICAL DATA SHEET

TE HDSCS CONNECTOR SERIES PLUG AND SOCKET BACKSHELL INTERFACE – PART NUMBERS AND DIMENSIONS

Harnessflex

PART NO. (PACK OF 10)	TYPE	DIMENSIONS (MM)			UNIT WEIGHT (G)	CONDUIT SIZE (NC)	CONDUIT SIZE (NW)
		A	B	C			
STRAIGHT INTERFACE SERIES							
CI08-HDSCS-B/10	B	33.5	23.9	12.9	3.4	08	7.5
CI12-HDSCS-B/10	B	33.5	23.9	16	3.5	12	10
CI20-HDSCS-E/10	E	41.1	48.9	24.8	7.8	20	17
90° ELBOW INTERFACE SERIES (1 PART FIXED ELBOW)							
CI20-F90-HDSCS-E10	E	67.9	39	24.8	10	20	17

Note: Dimensions are in mm.
Bulk Pack Quantity also available.
Colour: Black as standard.

HARNESSEFLEX HEAVY DUTY SERIES CONNECTORS COMPATIBLE WITH:

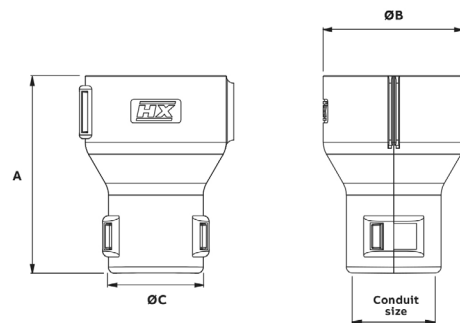
Type B		
TE	*-1703773-1	*-1418469-1
	*-1703808-1	*-1703818-1
	*-1703820-1	*-1418390-1
Aptiv	33308731	33346867
	33308912	33347886
	33308961	33346852
	33308974	33346865
	33308978	33346866
	33308982	33347865

*All colour and size variants

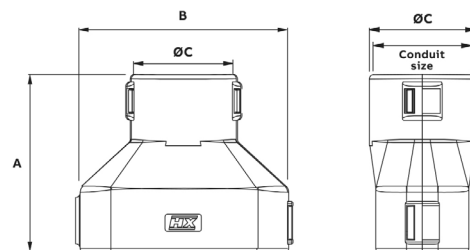
Type E		
TE	*-1564337-1	*-1563759-1
	*-1564526-1	*-1564412-1
	*-1564337-1	*-1564407-1
	*-1564528-1	*-1563878-1
	*-1564532-1	*-1564530-1
	*-1670901-1	*-1564330-1
	*-1564534-1	-
Aptiv	33285171	33347859
	33285172	33347875
	33342234	33347874
	33342243	33347860
	33342277	33347876
	33342293	33347872
	33343701	33349151
	33344005	33347873

*All colour and size variants

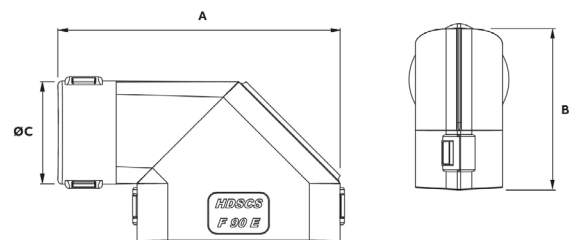
CI08-HDSCS-B & CI12-HDSCS-B Dimensions



CI20-HDSCS-E Dimensions



CI20-F90-HDSCS-E Dimensions



Carroll Australasia Pty Ltd reserves the right to change specifications without notice.